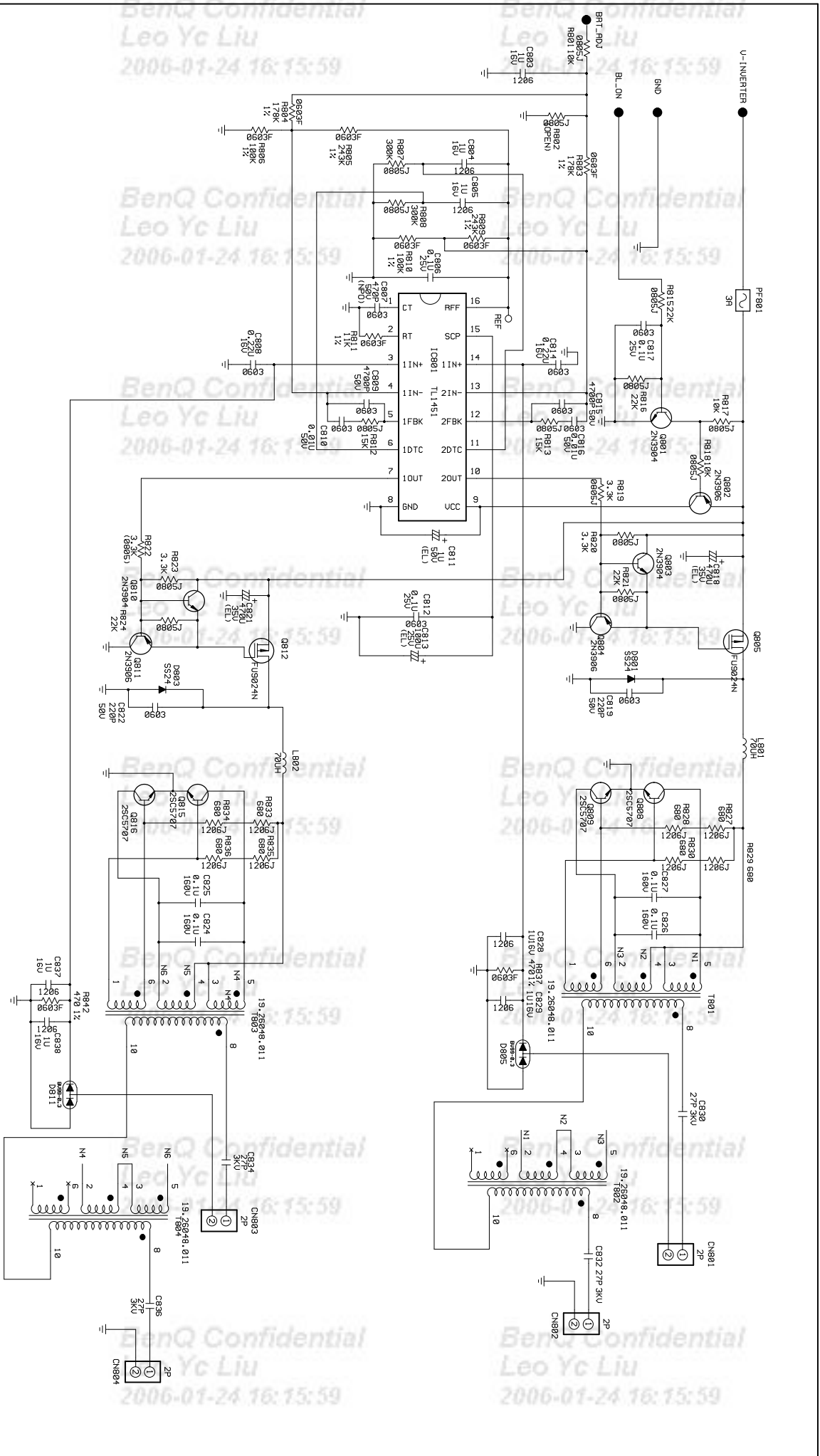


NOTES:
 1. Resistor values are in ohm, K=1,000 ohm, M=1,000,000 ohm
 2. All resistors are 1/8 watt, 5% except where otherwise indicated
 3. ∇ Represents PCB common ground.

BENQ	
Q7T4 POWER BOARD	SCHEMATIC
SIZE R4	PROJECT CODE L1C02A12.SCH
DATE : 10/27/2005	REV. 0
Doc.No. 99.L1C72.000-C3-304-006	Sheet 1 OF 2
Prepared By RINGEL HU	Reviewed By ELITE KUO
10/27/2005	Approved By H.J. MONG
	10/27/2005



BenQ Confidential
 Leo Yc Liu
 2006-01-24 16:15:59

NOTE: Resistor values are in ohm, K=1,000 ohm, M=1,000,000 ohm
 2. All resistors are 1/8 watt, 5% except where otherwise indicated
 3. // ← ⊕ Represents PCB common ground.

BenQ	
Q714 POWER BOARD	SCHEMATICS
SIZE R4	PROJECT CODE R4
DATE : 10/27/2005	SHEET 2 OF 2
Doc No. 99.L1C72.000-C3-304-006	
Prepared By HJEL HUI	Reviewed By H. J. HONG
10/27/2005	10/27/2005

BenQ Confidential
 Leo Yc Liu
 2006-01-24 16:15:59