

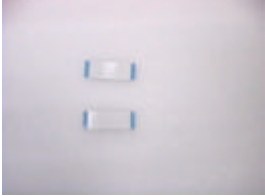





# FRU (Field Replaceable Unit) List


## Chapter 6

### Part List

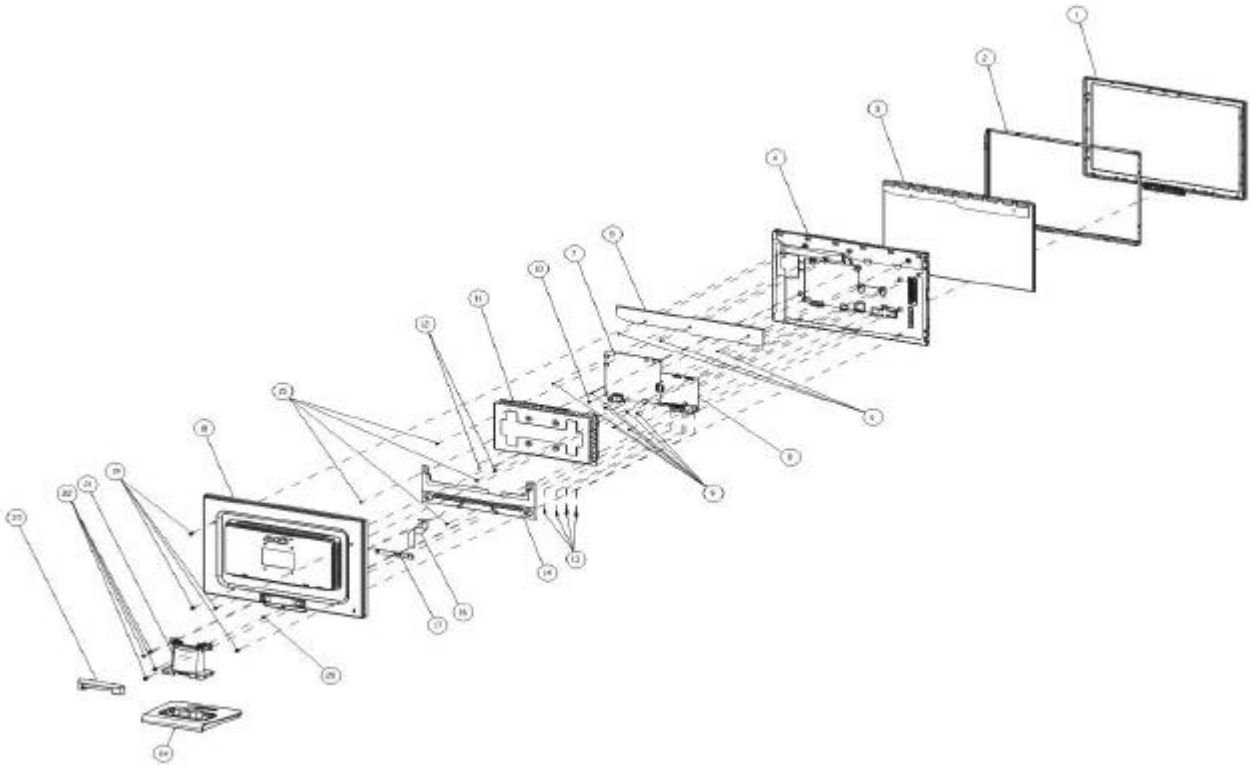
Picture	Part name	Description	Vendor Part No.
	FUNCTION BUTTON BOARD	PCBA FOR ,A190A2- H,A190A2-H-K2,106- 02,REV.01	35-D003068
	INVERTER BOARD	DAC-12M030- B,VER:0F,5 V/3 A,12 V/0.7 A,L TYPE,5 MA,2470 V,	27-D003318
	Main Board	PCBA FOR ,A190A2- T,A190A2-H-S1,106- 04,REV.03	35-D003169
	CABLES	FFC,1.00X22X106.5XCX (5/5)X(0.25X0.7),22 PINS	32-D003485
	CABLE	FFC,0.50X45X62XCX(5/ 5)X(0.175X0.3),45 PINS	32-D002888
	AUDIO CABLE	Audio Cable,A150X2,18AWG, 180cm,Black	32F2818004

	MONITOR CABLE	Monitor Cable,A150X2,30AWG, 180cm,Black,JCE	32F3018003
---	---------------	---	------------

Picture	Part name	Description	Vendor Part No.
	STAND BASE	SEAT ASSY,A190A2-H02	40-D003442
	LCD FRONT BEZEL	Bezel Assy,A190E3-H02	40-D003450
	LCD BACK COVER	REAR,A190A2-H02,ABS PA-757N, W/O AUDIO	40-D003444
	LCD STAND NECK	STAND ASSY,A190E3-H02,ABS ,BLACK	40-D003440
	Hinge Cover	COVER HINGE,A190A2-H02	40-D003441
	PCBA COVER	PCBA COVER ASSY,A190E3,ASSY	41-D002884

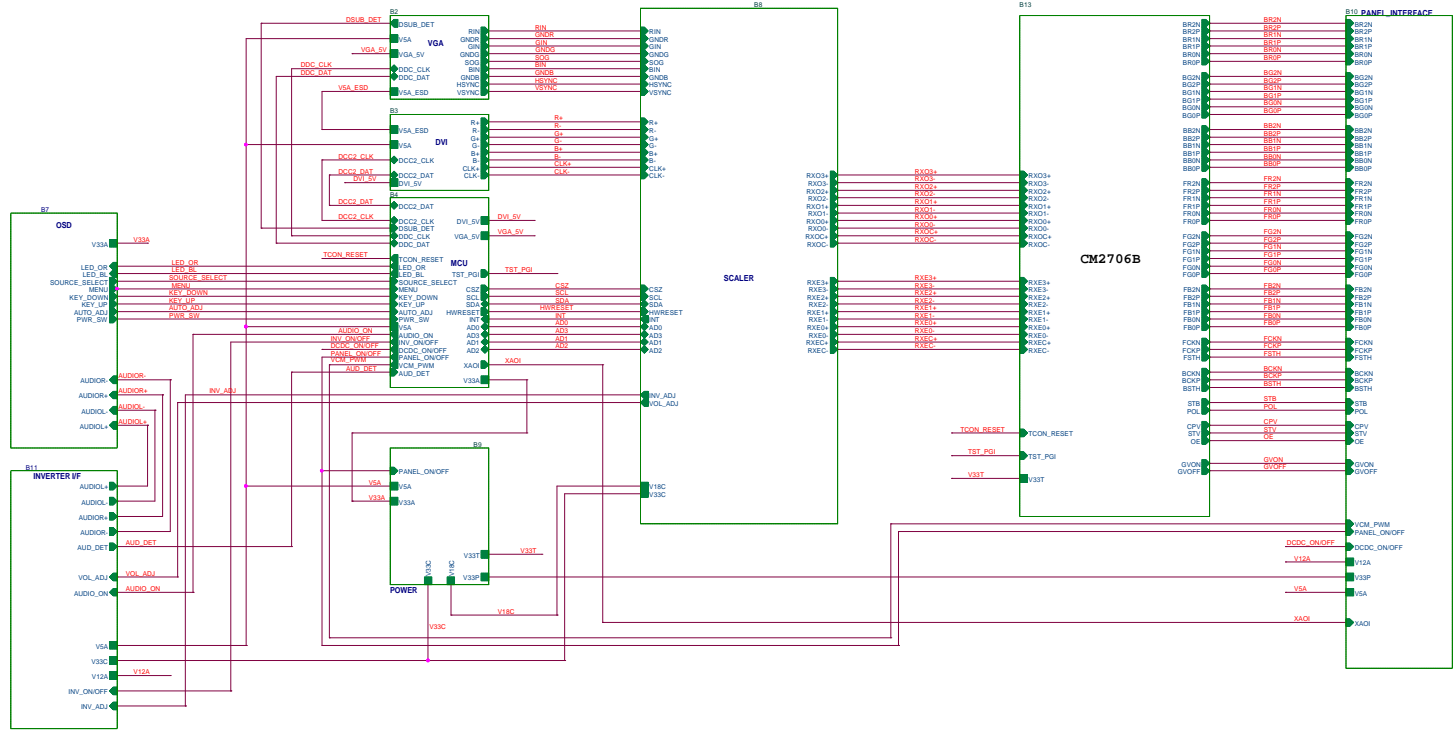
	Cover AD	A190E3,cover_ad+mylar	41-D000546
---	----------	-----------------------	------------

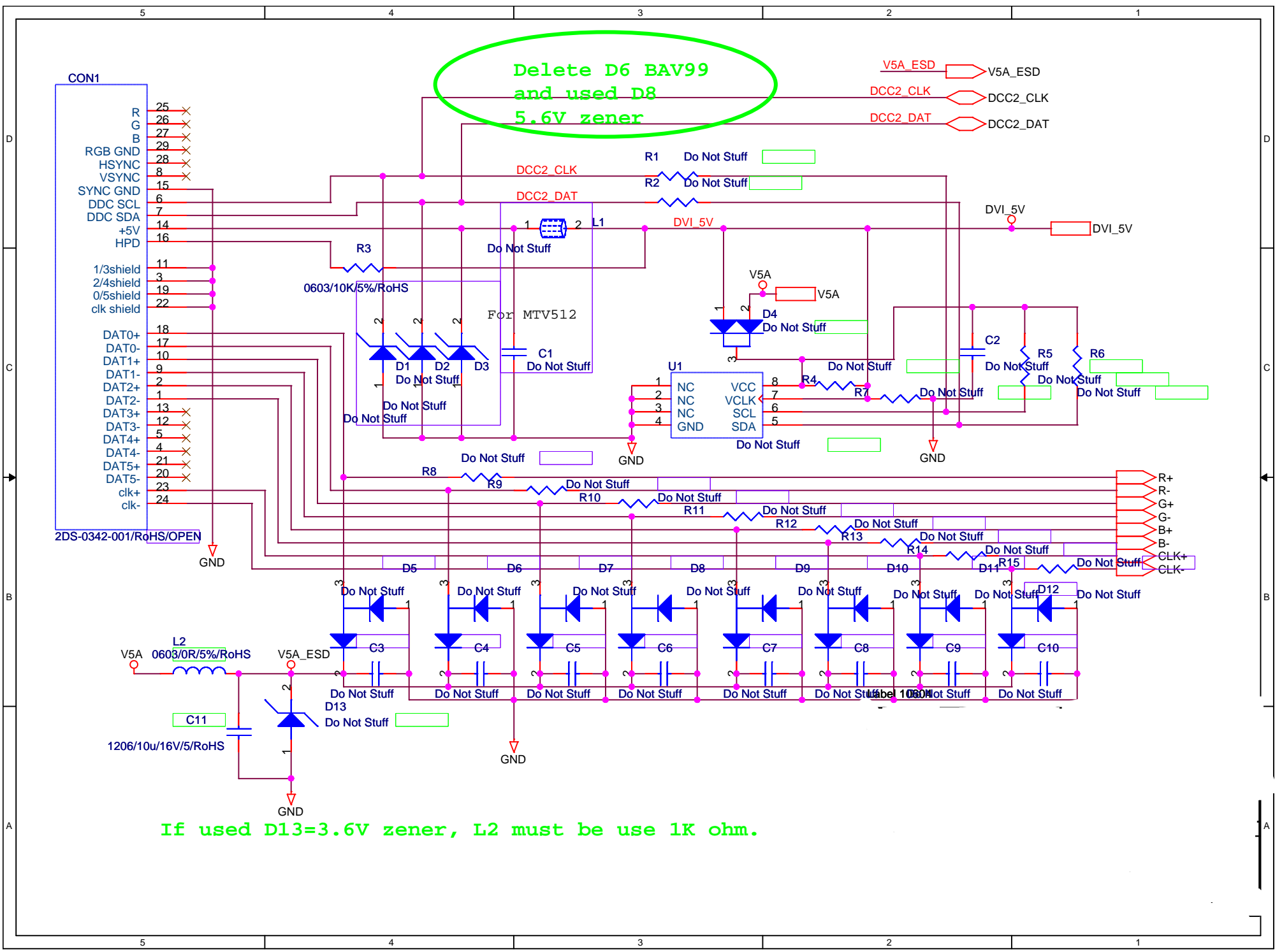
**The Table of Explosion Diagram**



<b>Item</b>	<b>Parts Name</b>	<b>Q'ty</b>
<b>1</b>	<b>BEZEL ASSY</b>	<b>1</b>
<b>2</b>	<b>MATEL FRAME FRONT</b>	<b>1</b>
<b>3</b>	<b>TFT PANEL ASSY</b>	<b>1</b>
<b>4</b>	<b>BACKLIGHT UNIT</b>	<b>1</b>
<b>5</b>	<b>MYLAR COVER PCBAX</b>	<b>1</b>
<b>6</b>	<b>SCREW M3*4L</b>	<b>3</b>
<b>7</b>	<b>POWER PCB ASSY</b>	<b>1</b>
<b>8</b>	<b>AD PCB ASSY</b>	<b>1</b>
<b>9</b>	<b>SCREW M3*4L</b>	<b>7</b>
<b>10</b>	<b>SCREW M4*10L</b>	<b>1</b>
<b>11</b>	<b>COVER AD</b>	<b>1</b>
<b>12</b>	<b>SCREW M3*4L</b>	<b>2</b>
<b>13</b>	<b>STAND OFF</b>	<b>4</b>
<b>14</b>	<b>SUPPORT FLATE</b>	<b>1</b>
<b>15</b>	<b>SCREW M3*4L</b>	<b>4</b>
<b>16</b>	<b>OSD FFC</b>	<b>1</b>
<b>17</b>	<b>OSD PCB ASSY</b>	<b>1</b>
<b>18</b>	<b>REAR ASSY</b>	<b>1</b>
<b>19</b>	<b>SCREW M3*10L</b>	<b>4</b>
<b>20</b>	<b>SCREW D3*8L</b>	<b>1</b>
<b>21</b>	<b>STAND ASSY</b>	<b>1</b>
<b>22</b>	<b>SCREW M4*15L</b>	<b>4</b>
<b>23</b>	<b>COVER HINGE</b>	<b>1</b>
<b>24</b>	<b>SEAT ASSY</b>	<b>1</b>

**Schematic (1)**





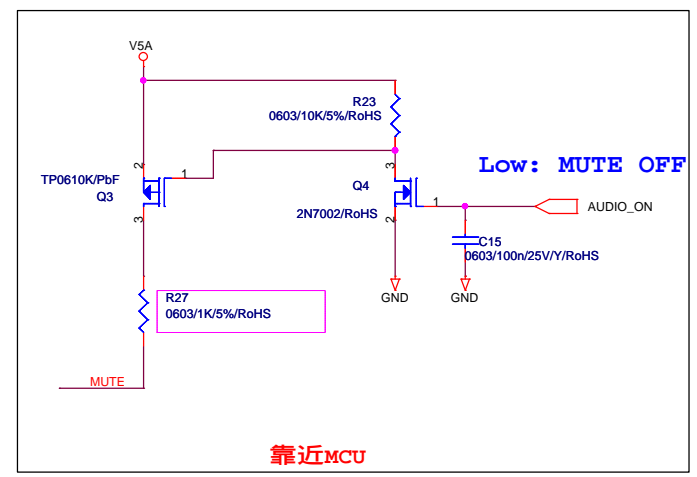
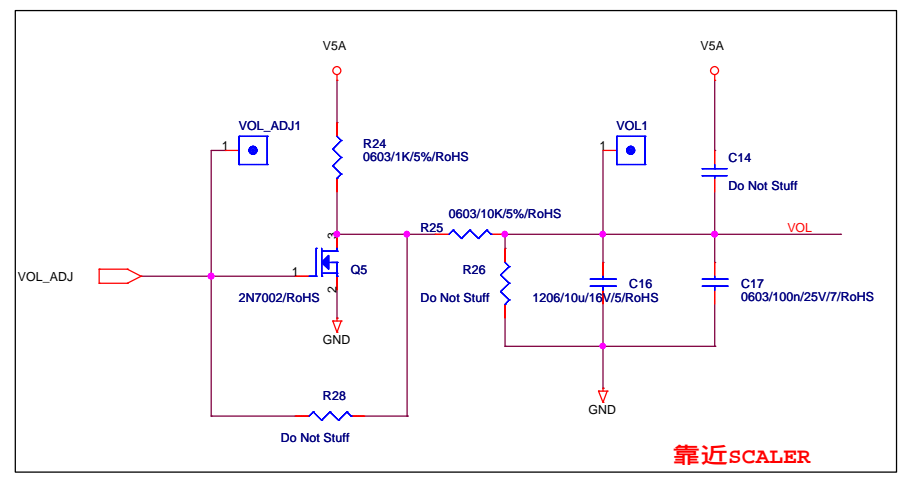
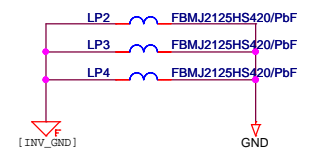
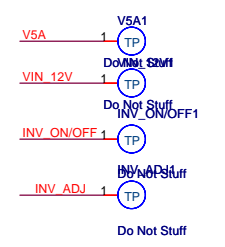
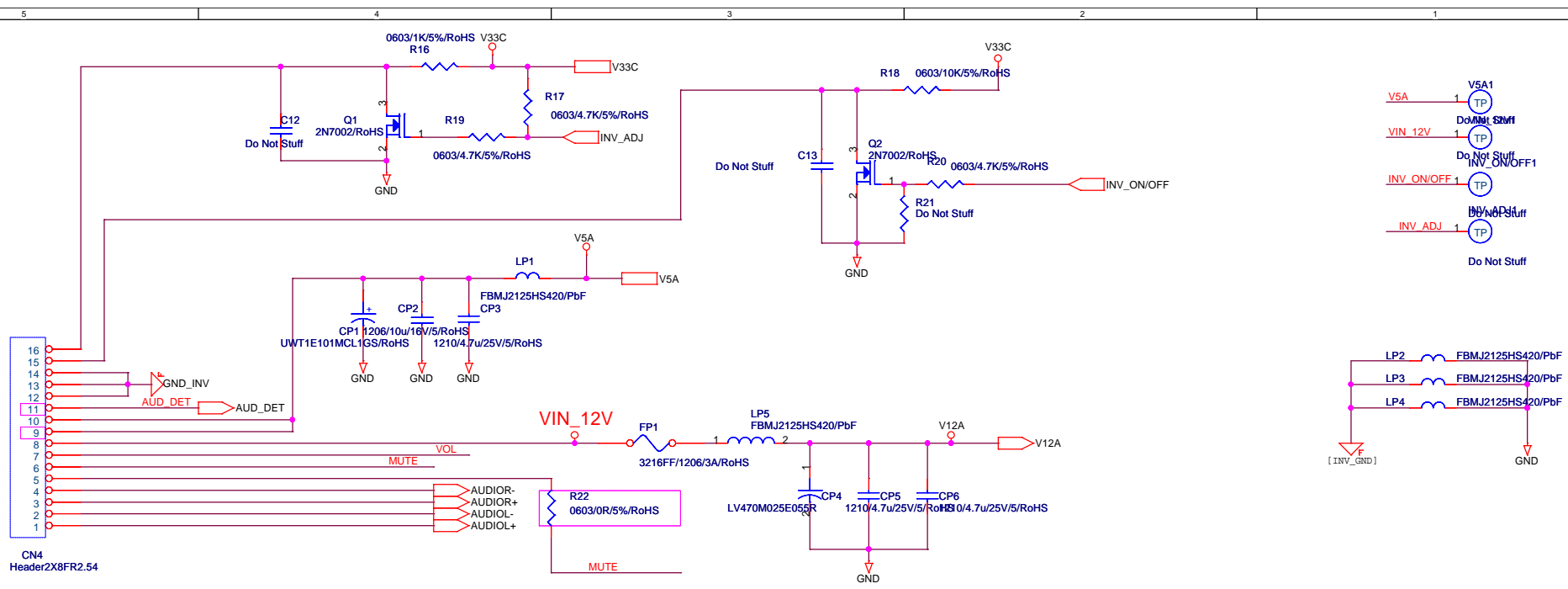
Delete D6 BAV99  
and used D8  
5.6V zener

If used D13=3.6V zener, L2 must be use 1K ohm.

- CON1
- R 25
  - G 26
  - B 27
  - RGB GND 28
  - HSYNC 8
  - VSYNC 15
  - SYNC GND 6
  - DDC SCL 7
  - DDC SDA 14
  - +5V 16
  - HPD 11
  - 1/3shield 3
  - 2/4shield 19
  - 0/5shield 22
  - clk shield
  - DAT0+ 18
  - DAT0- 17
  - DAT1+ 10
  - DAT1- 9
  - DAT2+ 2
  - DAT2- 13
  - DAT3+ 12
  - DAT3- 5
  - DAT4+ 4
  - DAT4- 21
  - DAT5+ 20
  - DAT5- 23
  - clk+ 24
  - clk-
- 2DS-0342-001/RoHS/OPEN

- V5A\_ESD
- DCC2\_CLK
- DCC2\_DAT

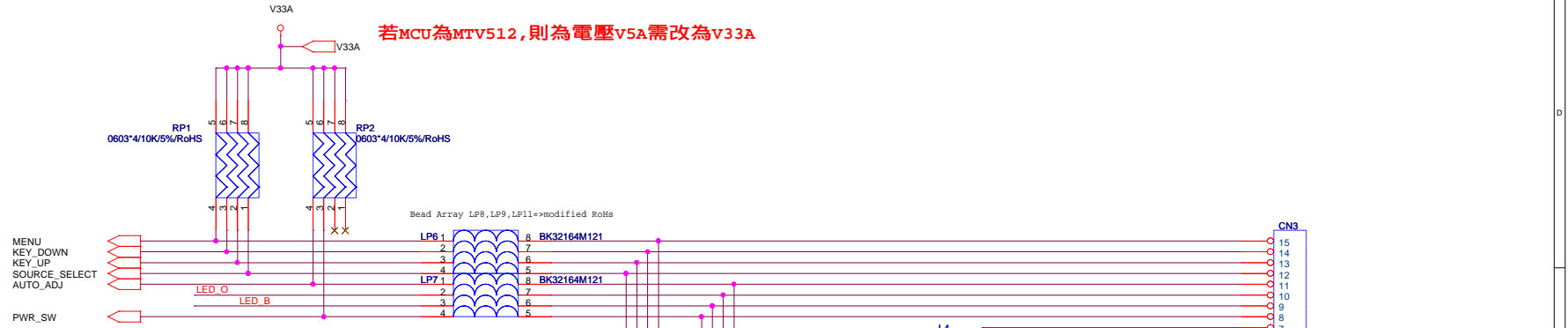
- R+
- R-
- G+
- G-
- B+
- B-
- CLK+
- CLK-



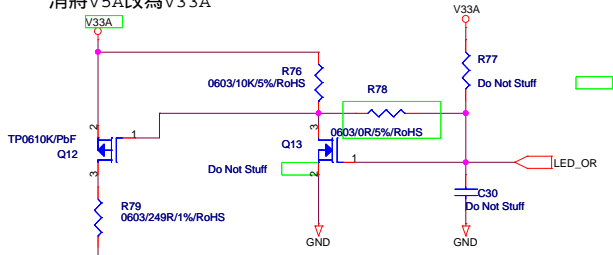




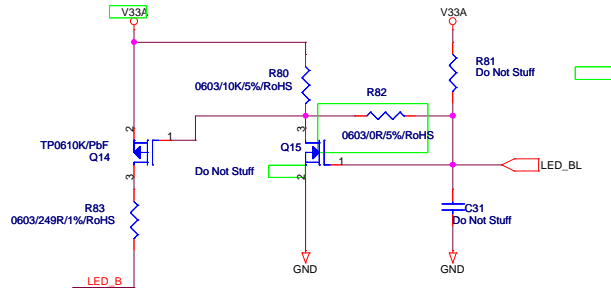
若MCU為MTV512,則為電壓V5A需改為V33A



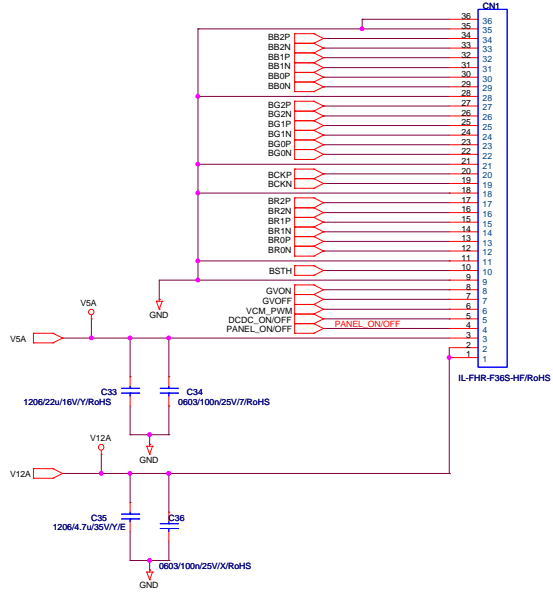
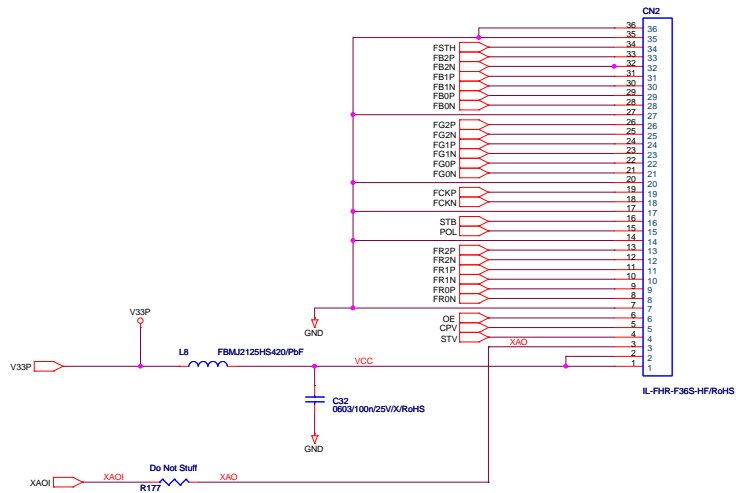
消將V5A改為V33A

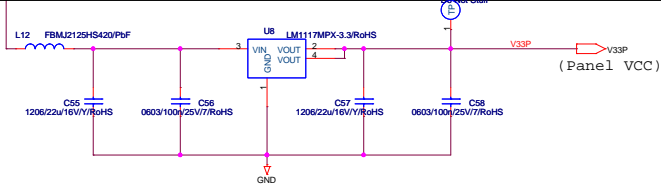
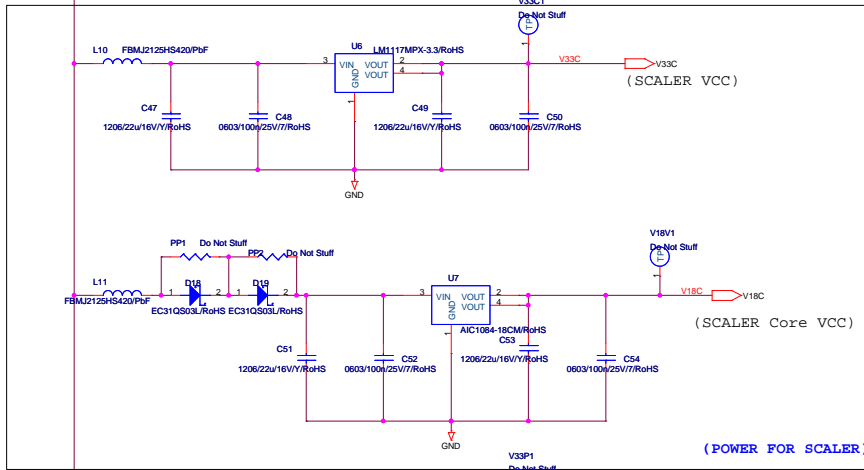
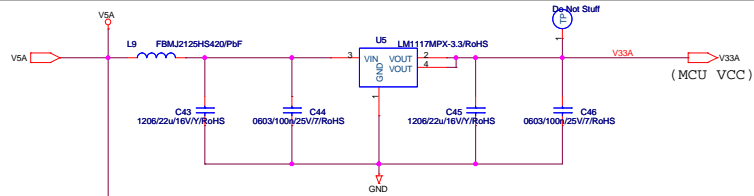
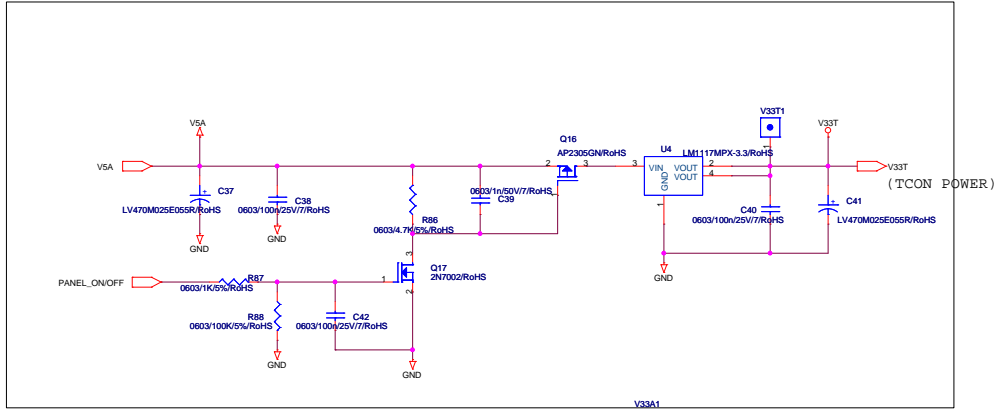


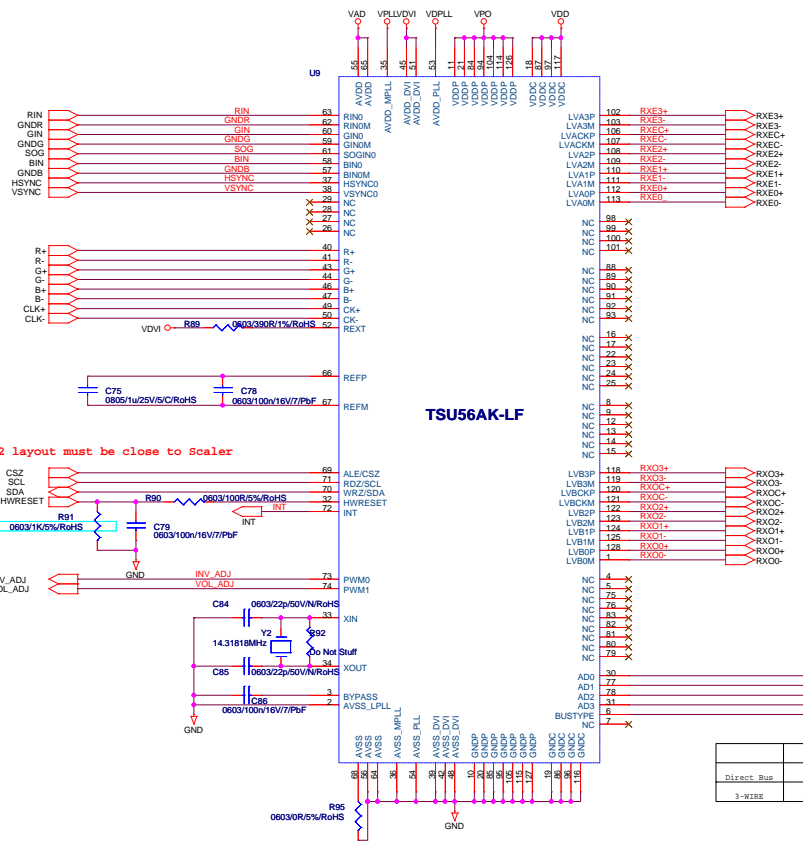
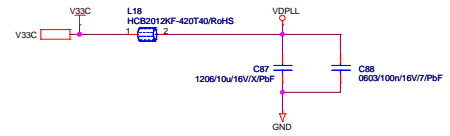
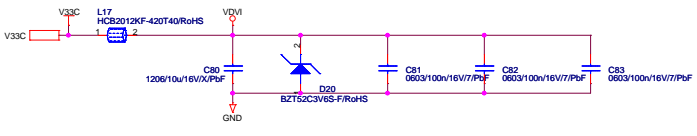
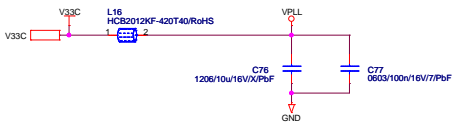
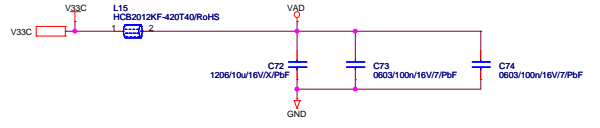
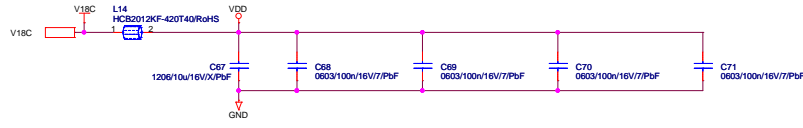
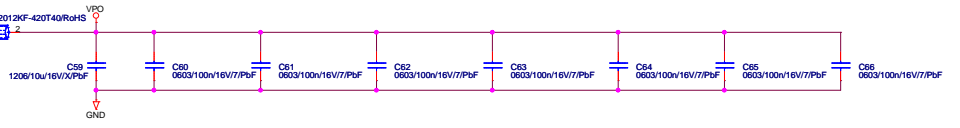
將V5A改為V33A



- VCC1
- XAO1
- STV1
- CPV1
- OE1
- STB1
- POL1
- PANEL\_ON/OFF1
- DCDC\_ON/OFF1
- VCM\_PWM1
- GVON1
- GVOFF1
- FSTH1
- BSTH1



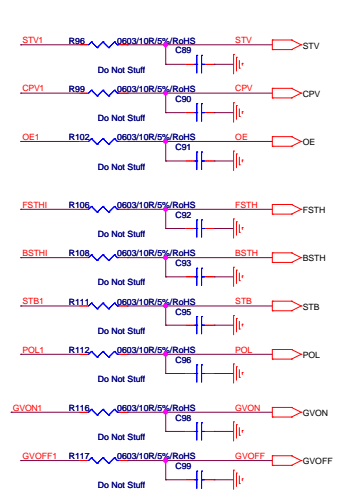
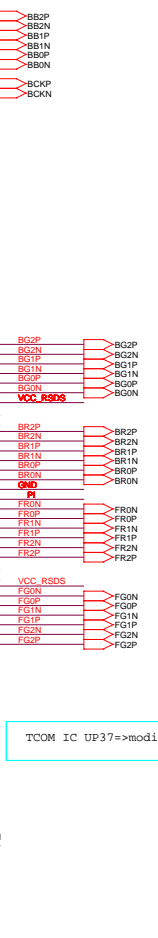
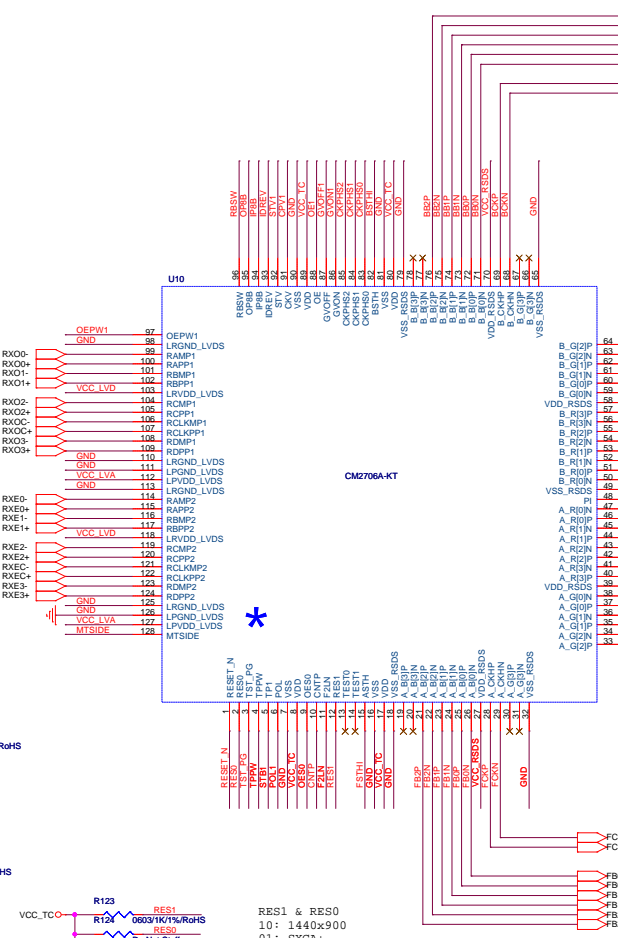
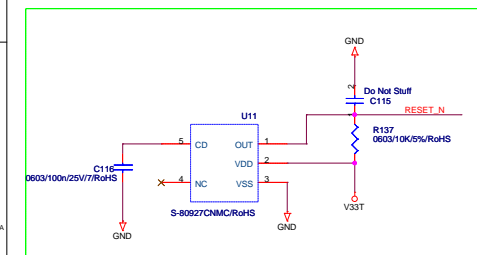
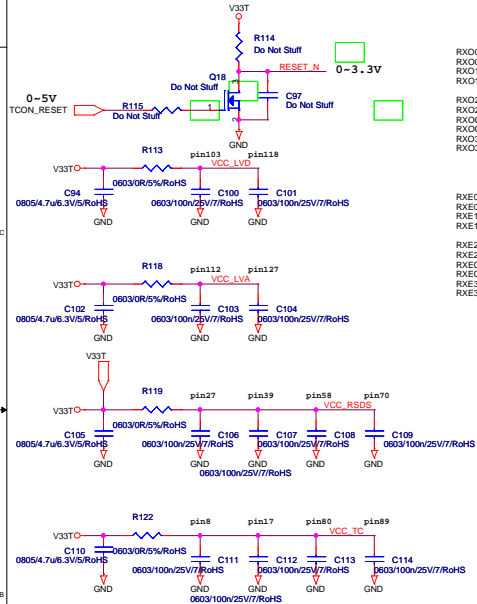
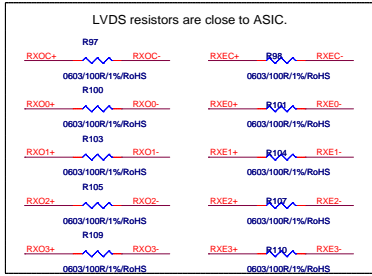




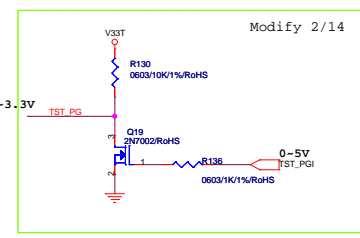
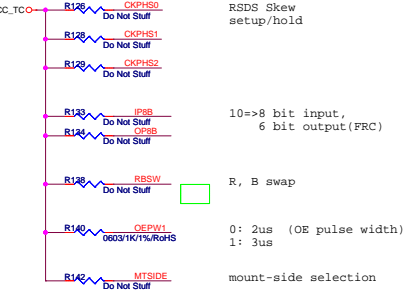
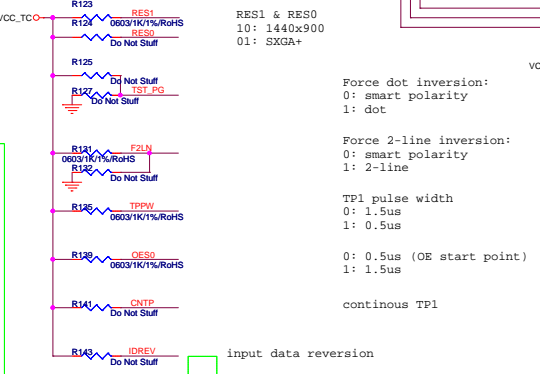
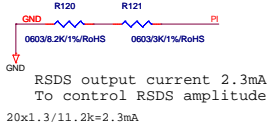
R142, R143 and C112 layout must be close to Scaler

**TSU56AK-LF**

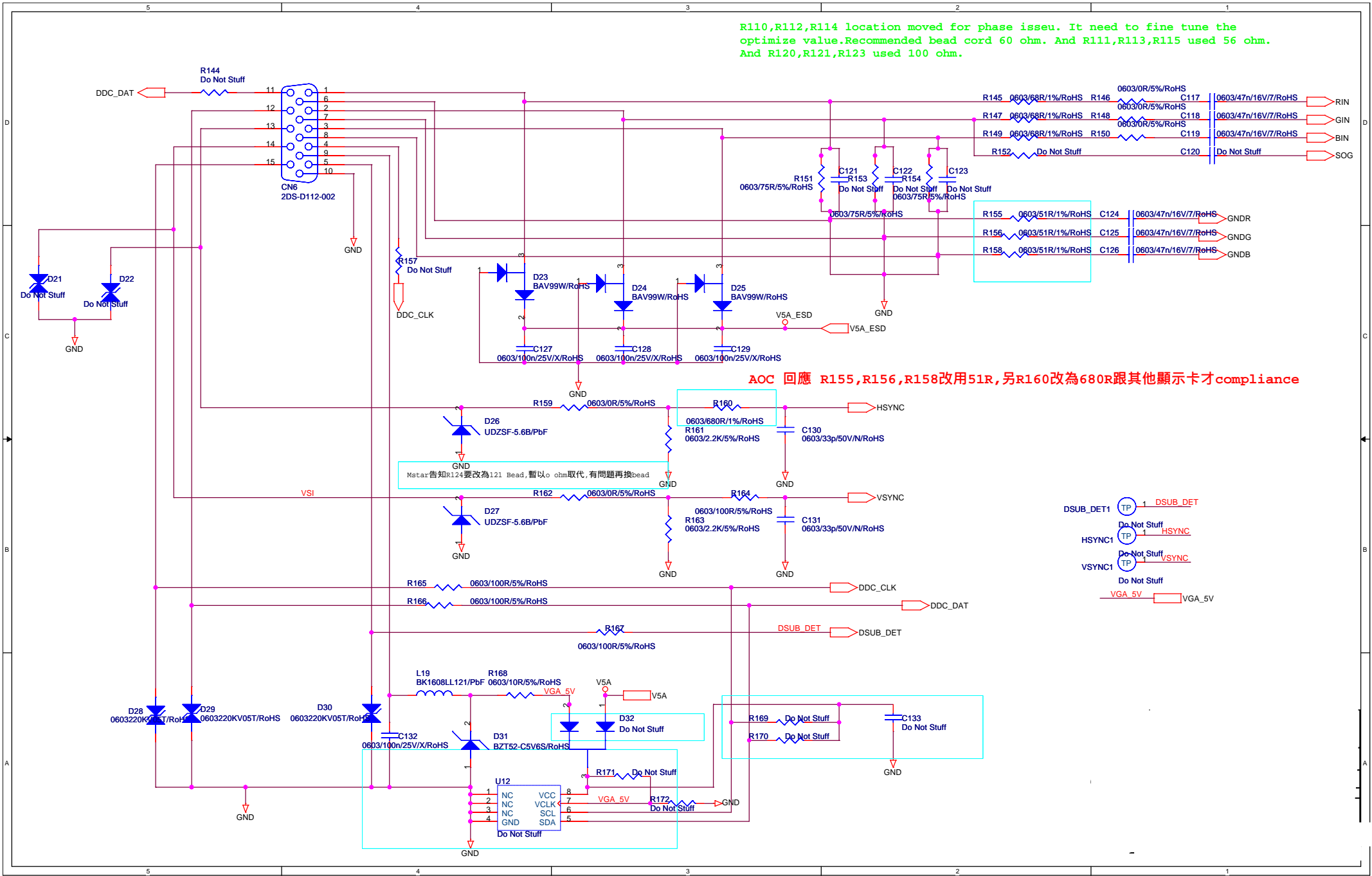
	R146	R145
Direct Bus	NC	4.7K
3-WIRE	4.7K	NC



TCOM IC UP37=>modified RoHS



R110,R112,R114 location moved for phase issue. It need to fine tune the optimize value. Recommended bead cord 60 ohm. And R111,R113,R115 used 56 ohm. And R120,R121,R123 used 100 ohm.

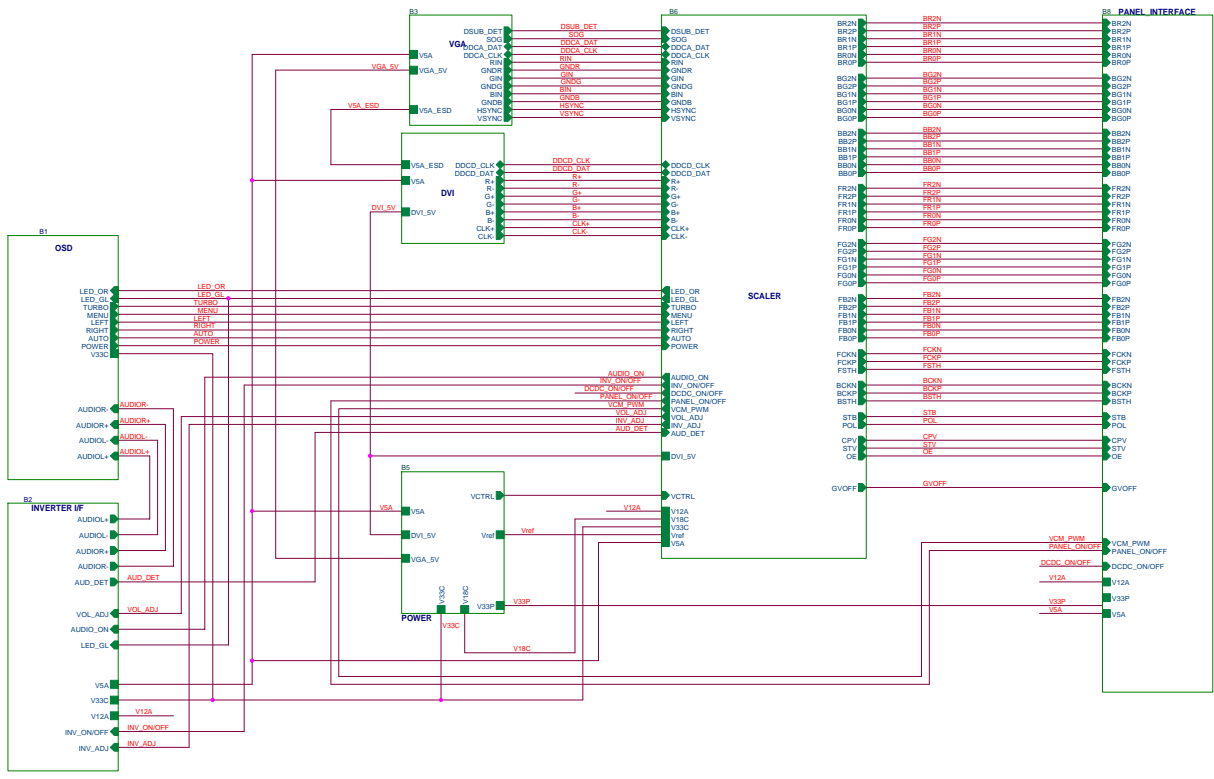


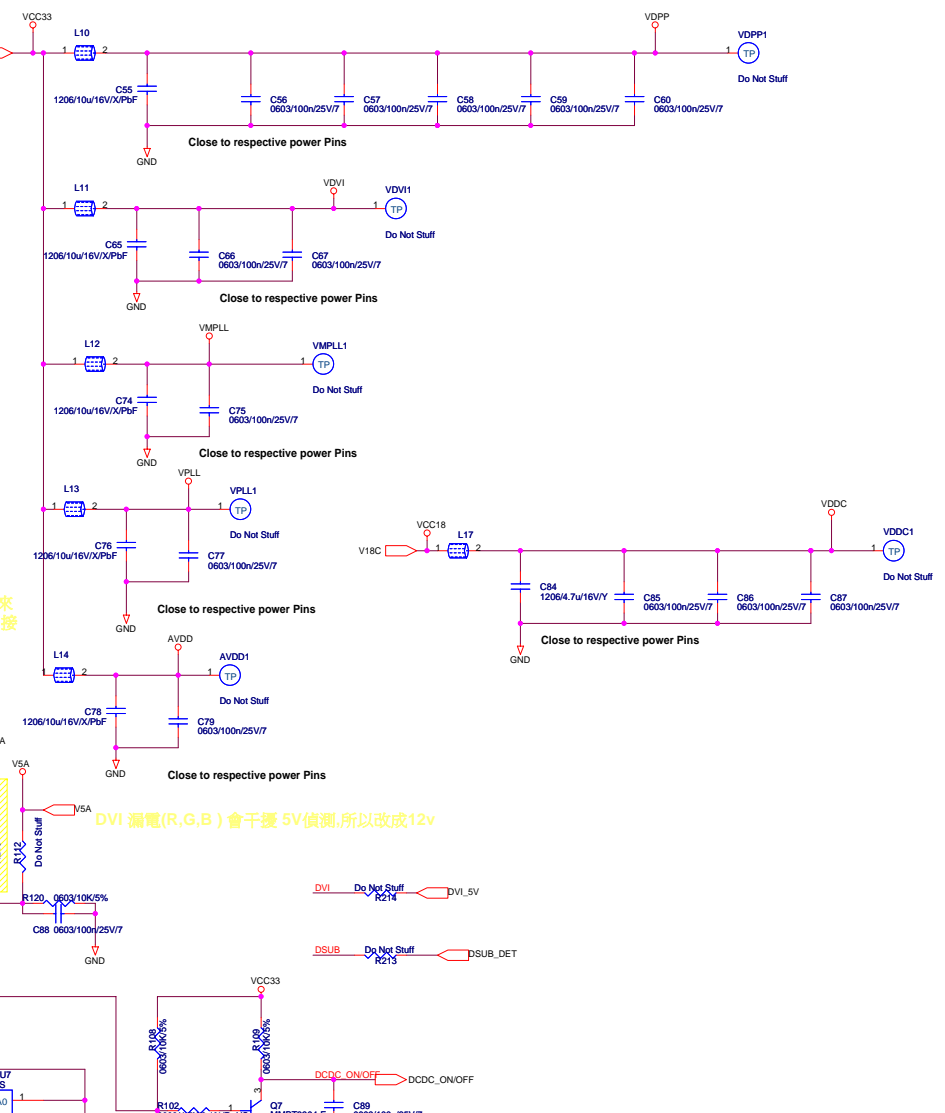
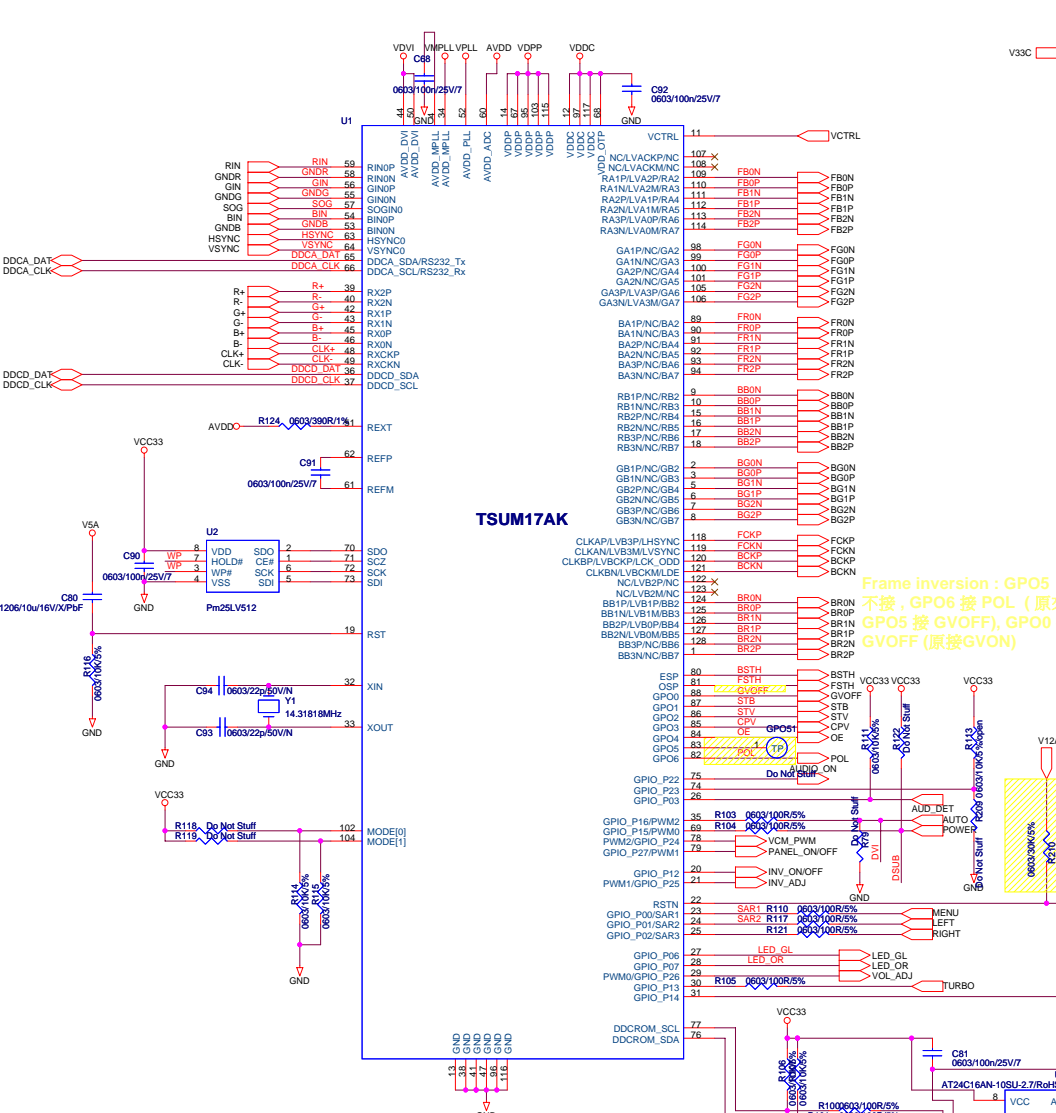
AOC 回應 R155,R156,R158改用51R,另R160改為680R跟其他顯示卡才 compliance

Matar告知R124要改為121 Bead, 暫以 0 ohm 取代, 有問題再換bead

## **Schematic (2)**

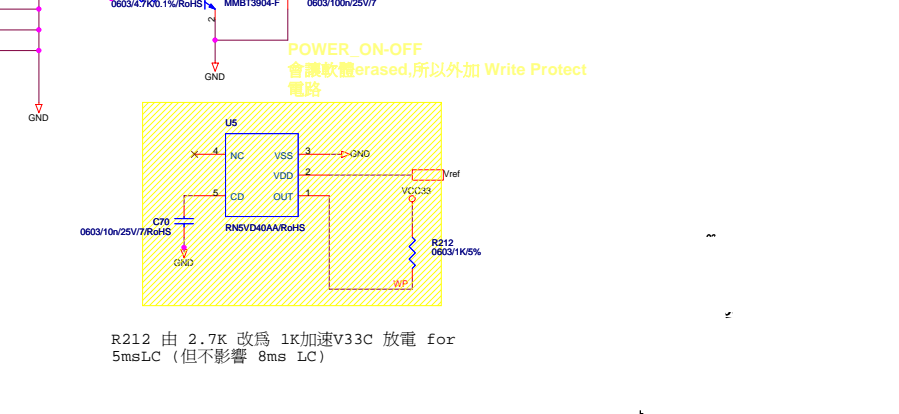
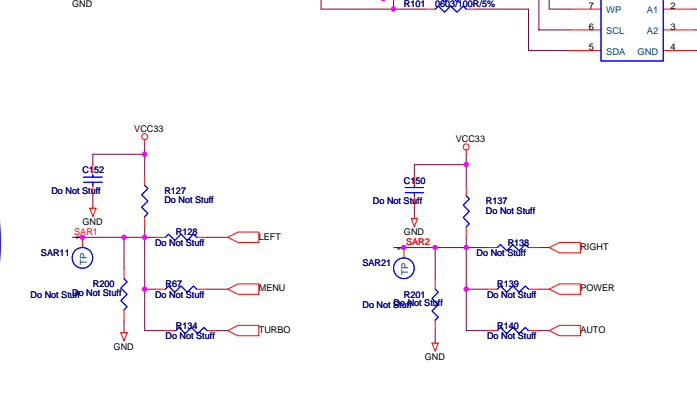






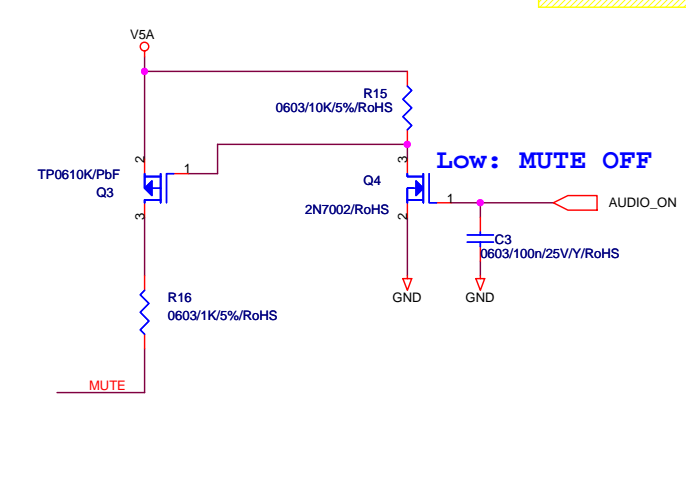
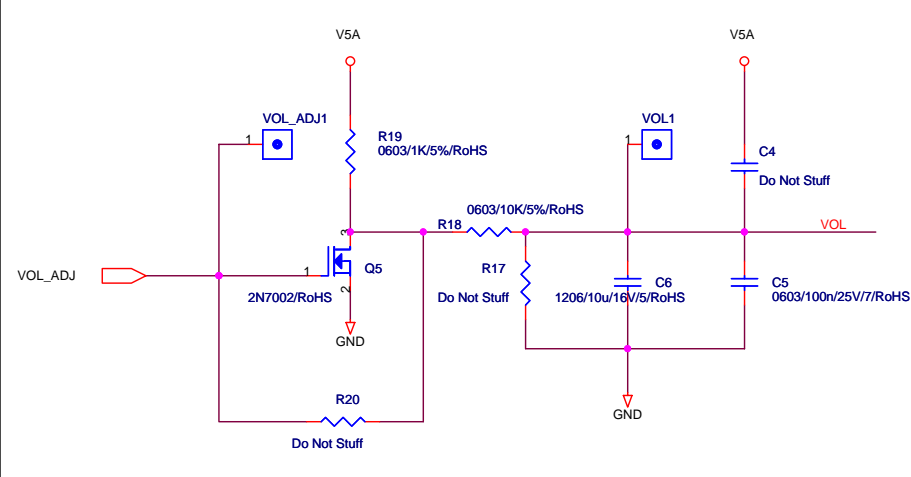
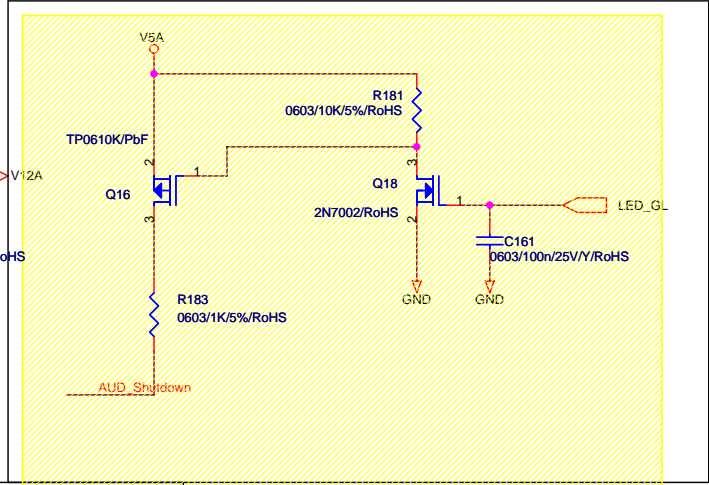
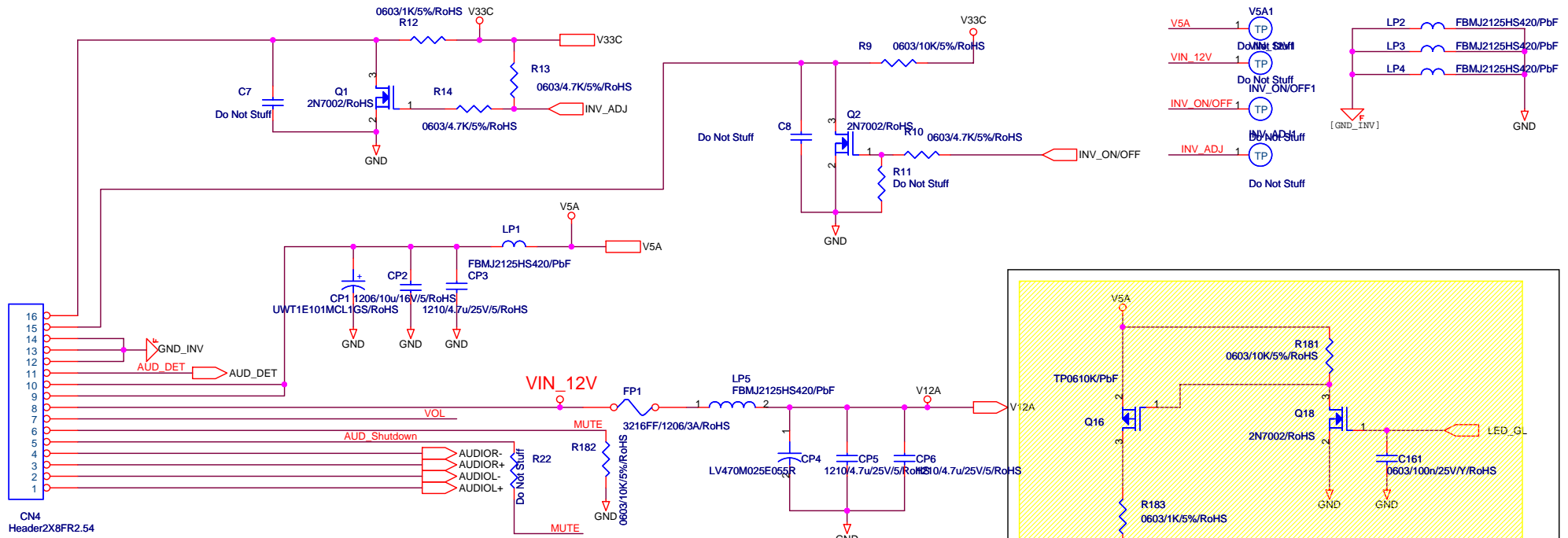
need to modify, the SAR is 6 bits and the max voltage is 1.8V

PIN	VOLTAGE
RIGHT	1.77V
POWER	1.24V
AUTO	0.47V
LEFT	1.77V
MENU	1.24V
TURBO	0.47V
RIGHT +LEFT +POWER	SR1(1.77) SR2(0.93)

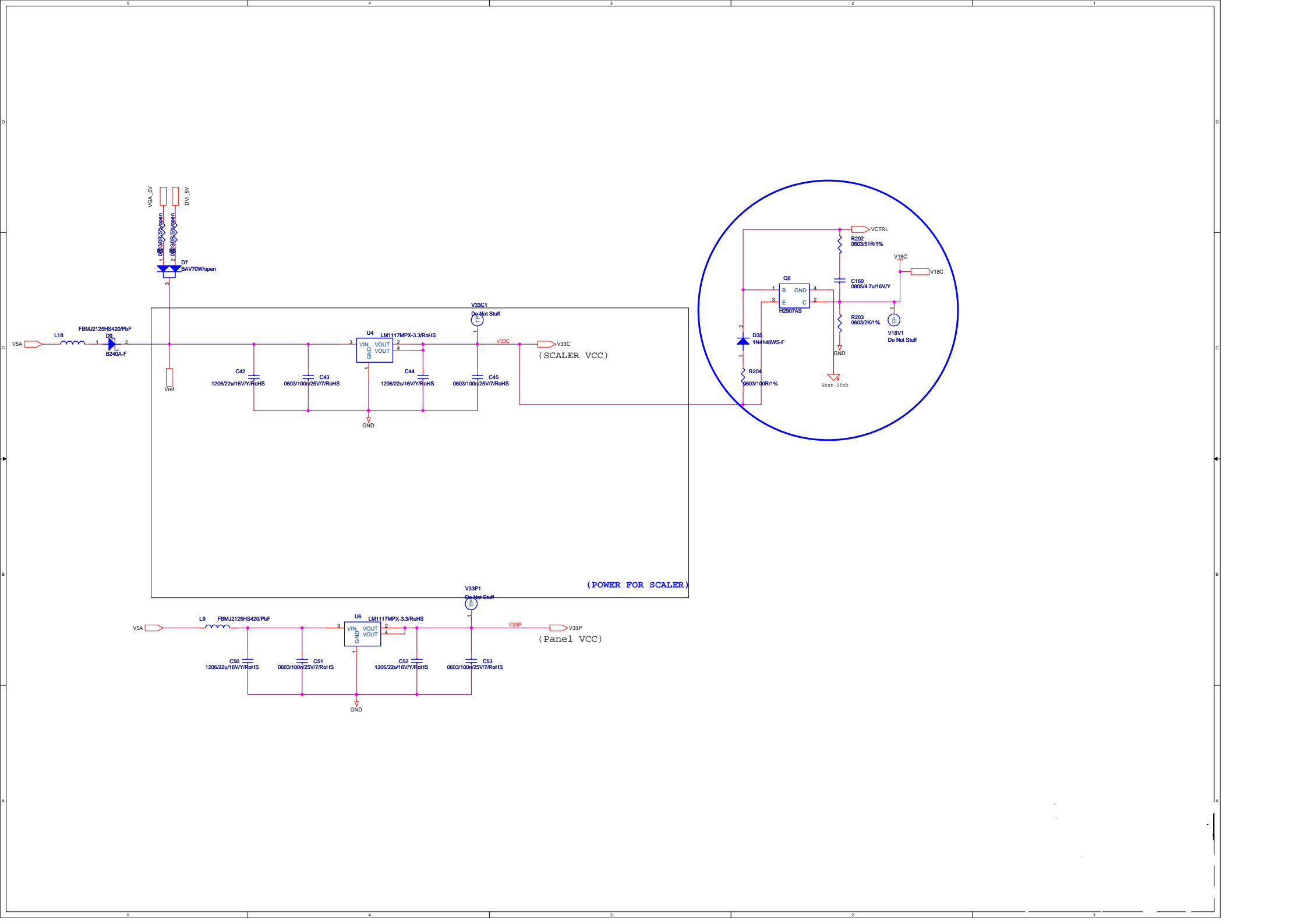


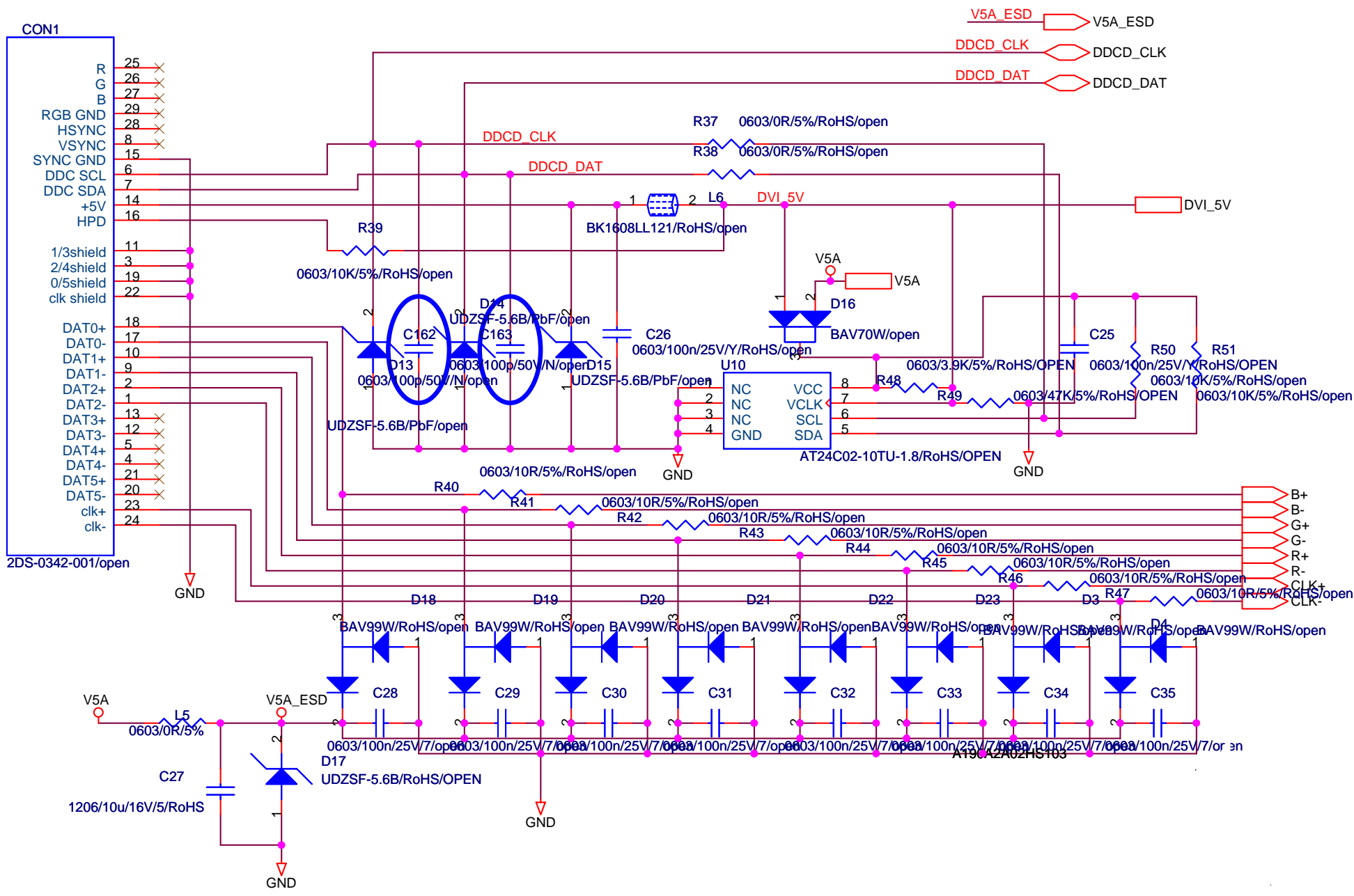
DVI 漏電(R,G,B) 會干擾 5V 偵測, 所以改成 12V

DSUB Do Not Stuff R213

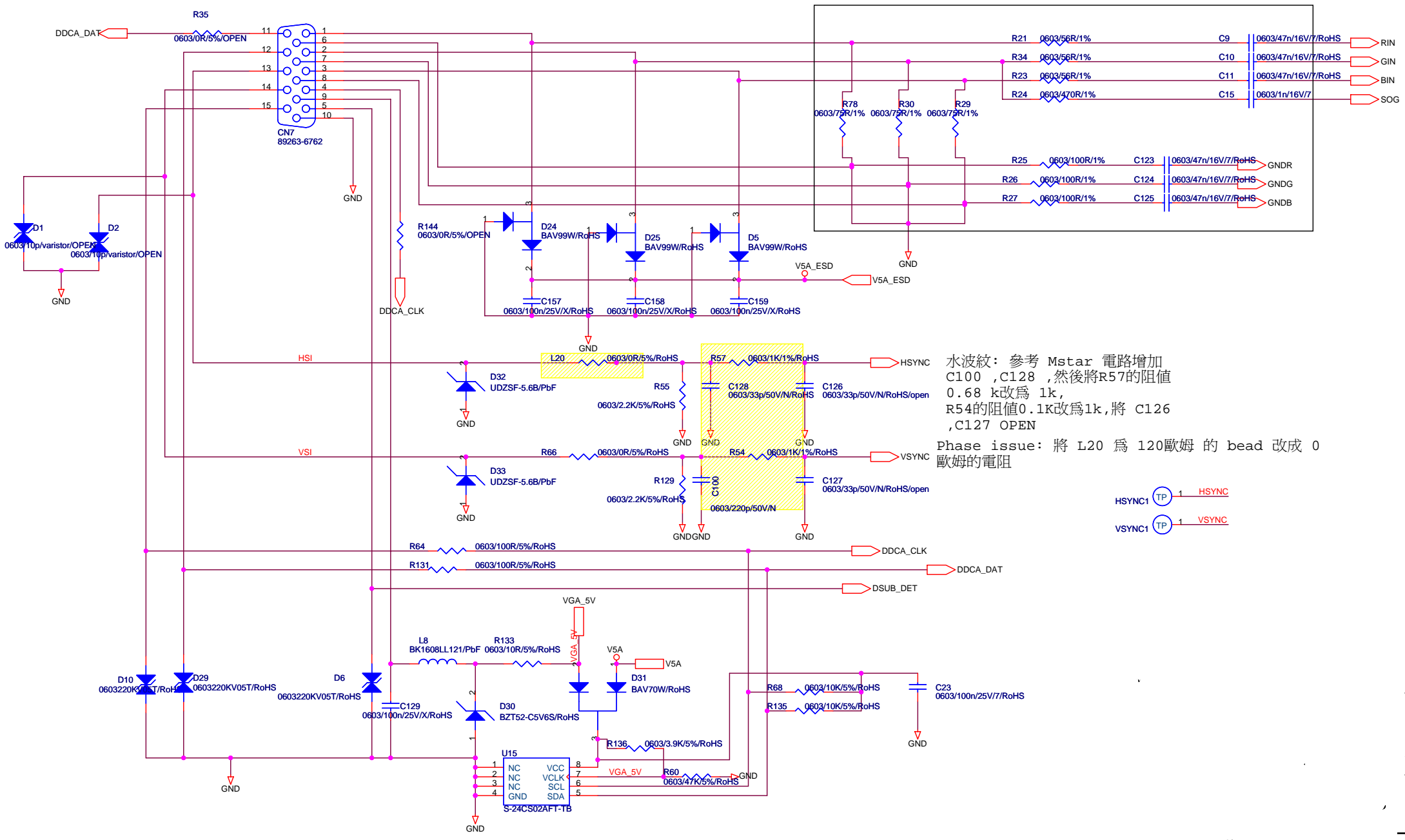


MUTE 和 AUD\_Shutdown  
 分開:此電路要和R182一起上件但 R22 OPEN



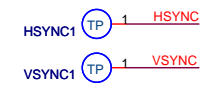


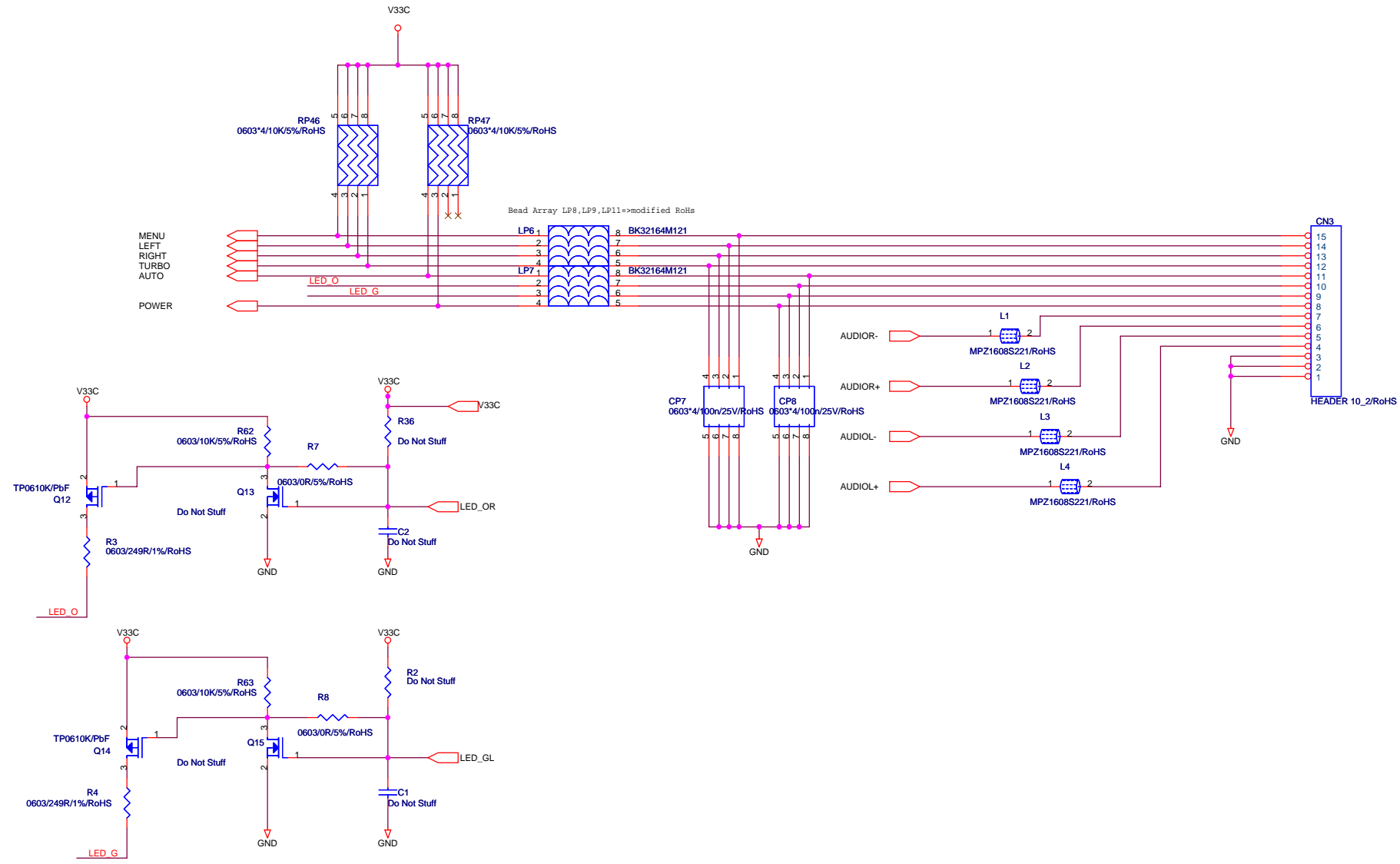
# 水波紋：靠IC

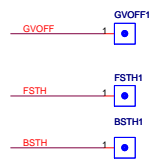
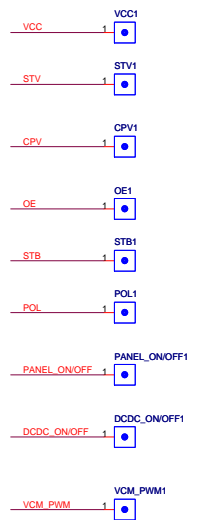


水波紋：參考 Mstar 電路增加 C100 ,C128 ,然後將R57的阻值 0.68 k改為 1k, R54的阻值0.1k改為1k,將 C126 ,C127 OPEN

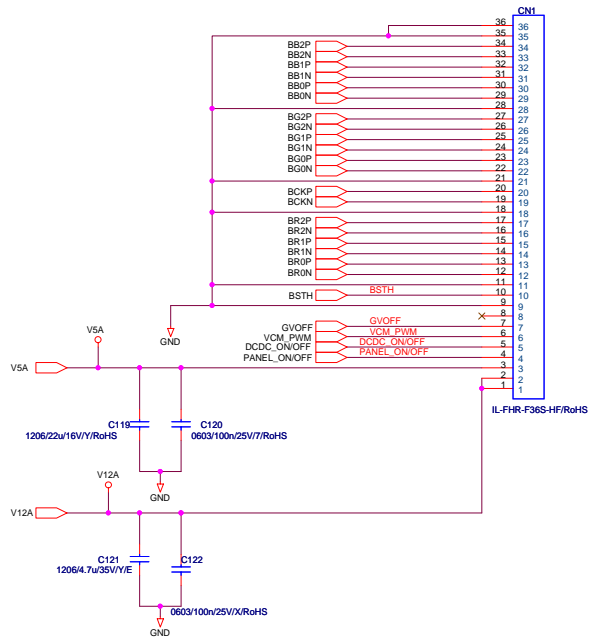
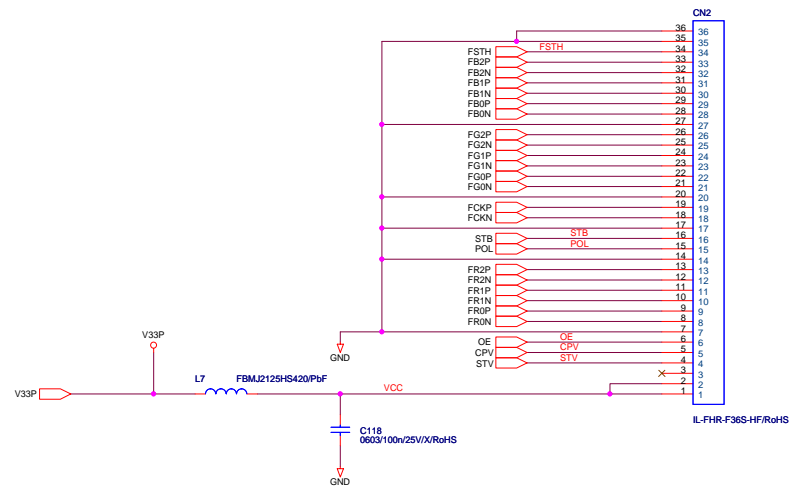
Phase issue: 將 L20 為 120歐姆 的 bead 改成 0 歐姆的電阻







S Board	X Board
RA N/P --->	BA P/N
GA N/P --->	GA P/N
BA N/P --->	RA P/N



CN2

36	FSTH
35	FSTH
34	FSTH
33	FSTH
32	FSTH
31	FSTH
30	FSTH
29	FSTH
28	FSTH
27	FSTH
26	FSTH
25	FSTH
24	FSTH
23	FSTH
22	FSTH
21	FSTH
20	FSTH
19	FSTH
18	FSTH
17	FSTH
16	FSTH
15	FSTH
14	FSTH
13	FSTH
12	FSTH
11	FSTH
10	FSTH
9	FSTH
8	FSTH
7	FSTH
6	FSTH
5	FSTH
4	FSTH
3	FSTH
2	FSTH
1	FSTH

CN1

36	BSTH
35	BSTH
34	BSTH
33	BSTH
32	BSTH
31	BSTH
30	BSTH
29	BSTH
28	BSTH
27	BSTH
26	BSTH
25	BSTH
24	BSTH
23	BSTH
22	BSTH
21	BSTH
20	BSTH
19	BSTH
18	BSTH
17	BSTH
16	BSTH
15	BSTH
14	BSTH
13	BSTH
12	BSTH
11	BSTH
10	BSTH
9	BSTH
8	BSTH
7	BSTH
6	BSTH
5	BSTH
4	BSTH
3	BSTH
2	BSTH
1	BSTH